

807

PRODUCT FAMILY

PERFECT GRINDING IN A NEW DESIGN



ditting

THE NEXT GENERATION OF DITTING GRINDERS: THE NEW 807 PRODUCT LINE

The **807** product line demonstrates Ditting's leadership within the field of professional precision grinding. The **807** shop grinder, the laboratory version **807 LAB SWEET** and the **807 FILTER** for fresh grinding directly into the filter basket, set the new benchmarks. Each of the models combine individualised functionality with modern design for optimal grinding results and the utmost user-friendliness.



807



807 LAB SWEET



807 FILTER



807

GRINDING WITH **SWISS PRECISION**

When it comes to the development and production of burrs you can trust the expertise and personal engagement of our experienced engineers. Every aspect of design has been carefully considered by our team – the concept and technical drawings, the computerized fabrication as well as the analysis at the sensory laboratory.

The latest scientific research on the extraction of coffee has formed the basis for the development of the 807's grinding teeth geometry. Furthermore, the 807 LAB SWEET is equipped with cast steel burrs that feature a sophisticated teeth profile.

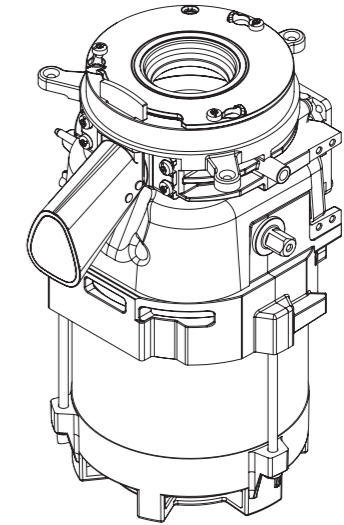
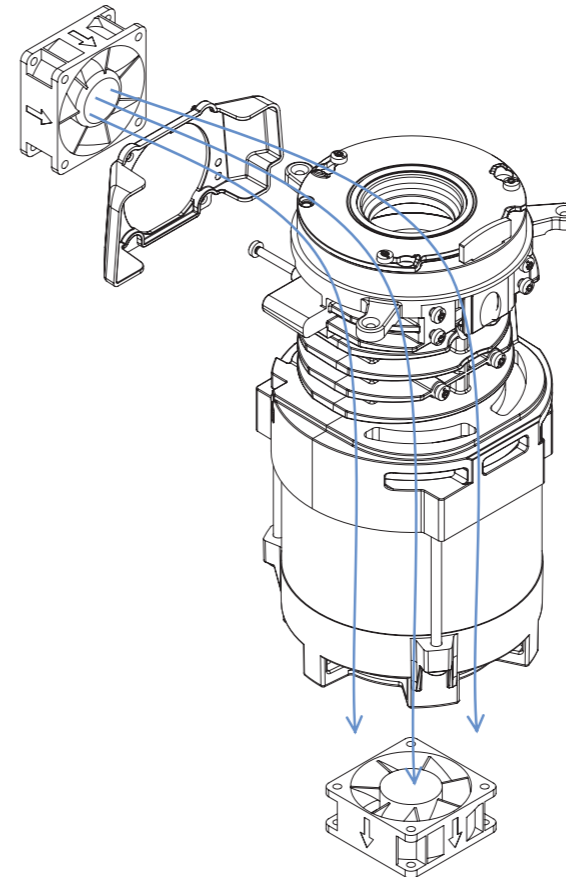
COMPREHENSIVE GRINDING RANGE

The 807 produces highly precise grinding results ranging from 130 μm to 1400 μm , covering the **finest degree (Turkish mokka) all the way up to the coarsest (cold brew)**. The adjustment wheel allows you to choose the perfect setting with ease – for any bean, any roast, any brewing method. The detailed scale on the adjustment wheel offers reliable indication, allowing the user to choose and to keep the desired degree of fineness.



HIGH PERFORMANCE

The powerful motor of the 807 effortlessly masters an average output of up to 450 grams per minute. Even more demanding lighter roasts get ground consistently and at a high speed.



LOW TEMPERATURE

To ensure that the coffee gets ground at low, aroma-saving temperatures, the motor of the 807 is equipped with an active temperature management system. Two fans work in tandem to regulate the inside temperature of the grinder by producing a continuous airflow along the cooling ribs of the grinding chamber. This way, the heat gets directed away and the grounds maintain a consistently low temperature.

MODERN & COMPACT: THE DESIGN

The 807 combines stylish design features with high-quality materials in a compact grinder body. The distinctive bagholder-knocker-combination, together with the illuminated LED-start-button help to create the desired visual impact.

Available grinder colors:

-  BLACK
-  WHITE

Available bean hopper colors:



The bean hopper holds 500 grams of beans and is made from extra-durable material to withstand the stresses of everyday use. To aid smooth workflow, concise instructions for using the grinder are printed inside the bean hopper lid.

EASY & INTUITIVE USE:

The 807 is designed for an intuitive everyday use. After having switched on the grinder by pushing the button on the back, the grinder is in standby mode. Simply choose the degree of fineness and add your beans. The grinder can be stopped and started at the push of a button. In case you forget to stop the grinder, the machine automatically reverts to standby after 5 minutes.



807 LAB SWEET

SINGLE PORTIONS WITH ABSOLUTE PRECISION

THE 807 LAB SWEET FULFILLS THE HIGHEST QUALITY REQUIREMENTS

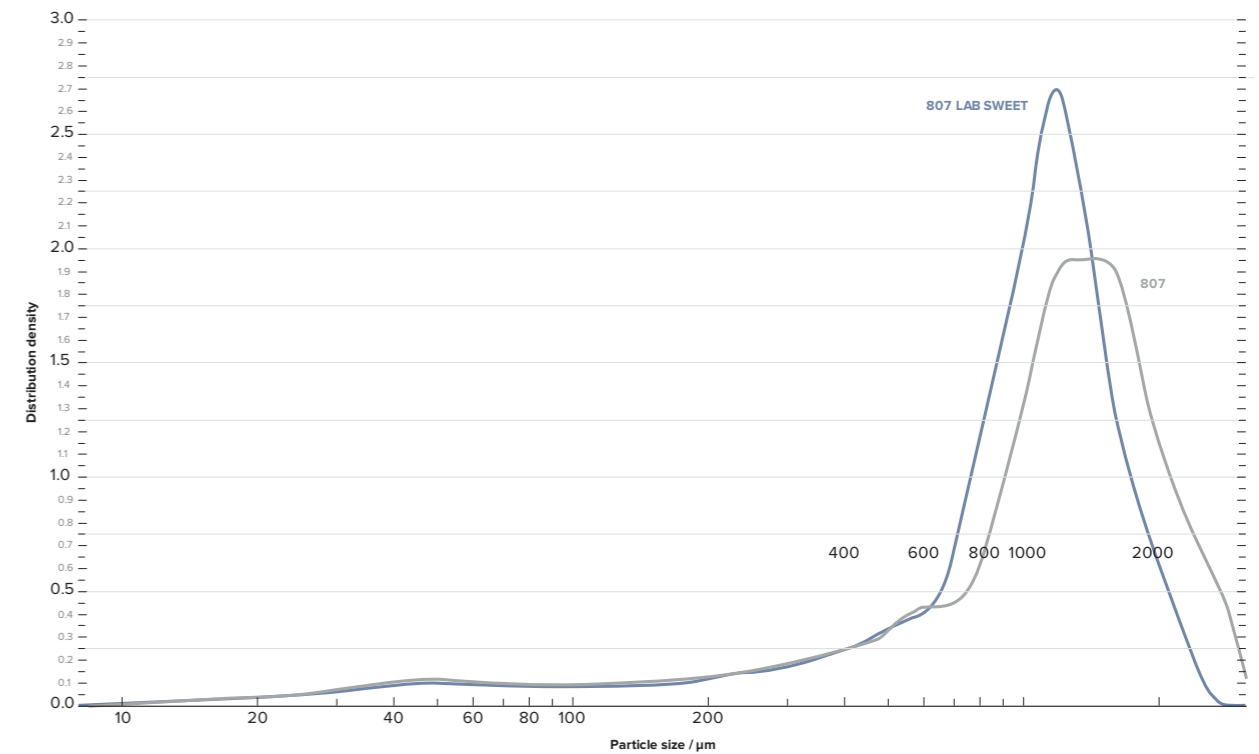
It is the only 807 model that is equipped with premium cast steel burrs, featuring a special grinding teeth geometry. These burrs ensure an optimal particle size spread within the grounds in order to achieve a consistent extraction and more sweetness inside the cup.

With close to zero retention, the 807 LAB SWEET is the perfect grinder for cuppings at the laboratory as well as for grinding single portions at the coffee shop. The foldable tray, which can be height-adjusted steplessly, as well as the grounds vessel ensure perfect usability.



PARTICLE SIZE SPREAD ANALYSIS

The premium cast steel burrs of the 807 LAB SWEET produce a higher proportion of fine particles and a narrower proportion of coarse particles as well as more even and rounder particle shapes. All of these are indicators known to support excellent extraction results.



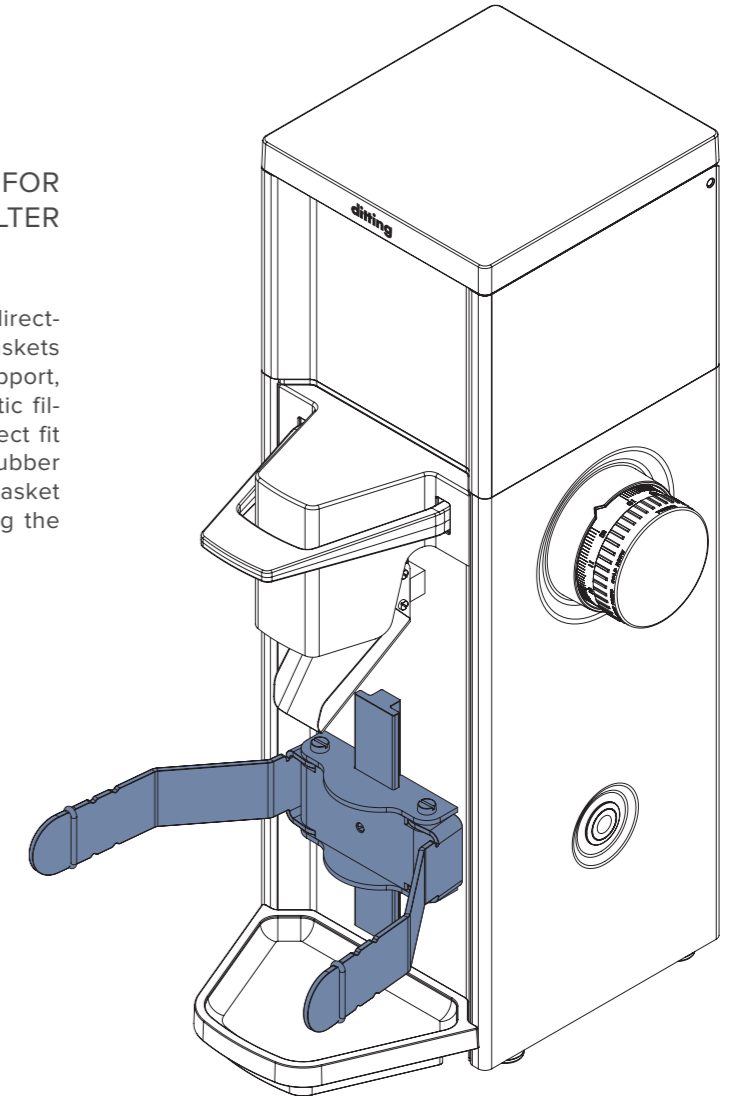


807 FILTER

FRESH GRINDING FOR THE
PERFECT FILTER COFFEE

THE 807 FILTER IS THE FIRST CHOICE FOR COFFEE PREPARATION WITH THE FILTER BASKET.

Its adjustable spout enables clean grinding directly into the center of the coffee filter. Filter baskets of any common size and shape fit into the support, which is adjustable for height and width. Plastic filter baskets with thicker edges are also a perfect fit when you simply turn the support by 180°. Rubber rings at the arms of the support keep the filter basket in place and reduce the noise emission during the grinding process.



TECHNICAL DATA	807	807 LAB SWEET	807 FILTER
Voltage//frequencies//phases	100 V // 50-60 Hz // 1~; 110 - 127 V // 60 Hz // 1~; 220 - 240 V // 50-60 Hz// 1~	100 V // 50-60 Hz // 1~; 110 - 127 V // 60 Hz // 1~; 220 - 240 V // 50-60 Hz // 1~	100 V // 50-60 Hz // 1~; 110 - 127 V // 60 Hz // 1~; 220 - 240 V // 50-60 Hz // 1~
Revolutions per minute	1350 rpm (50Hz); 1650 rpm (60Hz)	1350 rpm (50Hz); 1650 rpm (60Hz)	1350 rpm (50Hz); 1650 rpm (60Hz)
Burr diameter	3.14 in	3.14 in	3.14 in
Burr material	Steel	Cast steel	Steel
Average grinding capacity*	450 g/m	450 g/m	450 g/m
Bean hopper capacity	500 g	500 g	500 g
Nominal power	500 W	700 W	500 W
Dimensions (w x h x d)	216 x 536 x 300 mm	216 x 536 x 300 mm	226 x 536 x 353 mm
Dimensions of packing (w x h x d)	292 x 685 x 377 mm	292 x 685 x 377 mm	292 x 685 x 377 mm
Net weight	17.4 kg	17.4 kg	17.9 kg
Shipping weight	18.8 kg	18.8 kg	19.1 kg
Standard color	Body: Black Black & white Bean hopper: Black smoked	Body: Black Black & white Bean hopper: Black smoked	Body: Black Black & white Bean hopper: Black smoked
Listings	CB, UL/CSA, NSF, KTL, EAC	CB, UL/CSA, NSF, KTL, EAC	CB, UL/CSA, NSF, KTL, EAC
Standards	On request	On request	On request
SPECIAL EQUIPMENT			
		Height adjustable table (to fold up / remove)	Adjustable basket holder (adjustable in height & width) Adjustable outlet guide
* Depends on the grinding goods and the chosen degree of fineness All measured values under laboratory conditions. Other electric specifications available on request Subject to change without prior notice.			

SWISS PRECISION

ditting

www.dittingswiss.ch | www.hemrogroup.com